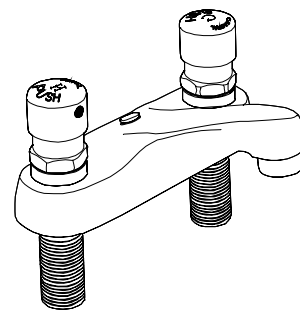


REPLACEMENT PARTS



* These items are not offered individually and must be purchased as a group or unit. Please contact Central Brass for more information.

REPLACEMENT PARTS

#	Part #	Description
A	K-170-AC	Slow-Close Cap C indexed with Set Screw (X103-HS) & Wrench (170-WA)
A	K-170-AH	Slow-Close Cap H indexed with Set Screw (X103-HS) & Wrench (170-WA)
B	K-170	Slow-Close Stem Assembly
C	K-170-C	Slow-Close Stem Assembly including Cap C indexed and Set Screw (X103-HS)
C	K-170-H	Slow-Close Stem Assembly including Cap H indexed and Set Screw (X103-HS)
D	G-914-SA	Coupling Nut group (2 sets)
1	170-WA	$\frac{3}{32}$ Allen Wrench
2	X103-HS	Set Screw (6pcs per pack)
3	170-L	Spring
4	XPF-170-B	Bonnet (2pcs per pack)
5	X1038-CRN	O-Ring (25pcs per pack)
6	XPF-170-C	Stem (2pcs per pack)
7	X353-S	Sleeve (10pcs per pack)
8	X170-F	Seat Washer (10pcs per pack)
9	XPF-170-D	Seat Washer Holder (2pcs per pack)
10	X170-CW	Cup Washer (10pcs per pack)
11	X279-L	Brass Washer (10pcs per pack)
12	XPF-170-N	Hex Nut (10pcs per pack)
13	XPF-170-E	Brass Dashpot Chrome Plated (2pcs per pack)
14	X170-P	Gasket (10pcs per pack)
15	X170-J	Felt Washer (10pcs per pack)
16	X170-H	Brass Dashpot Washer (10pcs per pack)
17	X170-K	Screw (10pcs per pack)
18	X1028-Y	Gasket (25pcs per pack)
19	X70-WA	Plug Hole Button (6 pcs per pack) For items without Pop-up Drain
20	30-L	Aerator
20	G-30-LV	Aerator for Vandal Resistant for items with "V" suffix
21	X7133-AZ	Locknut (10pcs per pack)
22	X4015	Coupling Nut (4pcs per pack)

See 1133, 1137, 1137, 101137, 181137, 201137, 281137, 81137 & 3127
for other Centerset Lavatory Faucets with more options
including *Slef-Closing Units, Ceramic-disc Stem Cartridges and Villager Lever Handles*

Central Brass®

The Easy Choice

2950 East 55th St. Cleveland, Ohio 44127

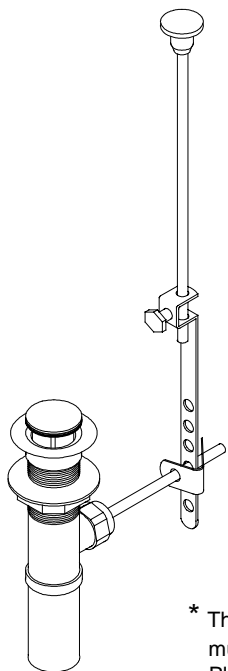
Phone: (216)883-0220 Fax: (216)883-0875

www.CentralBrass.com

For items with
"D" Suffix
Pop-up Drain

NEW!!! Pop-up
Item Number 1109
is now supplied.

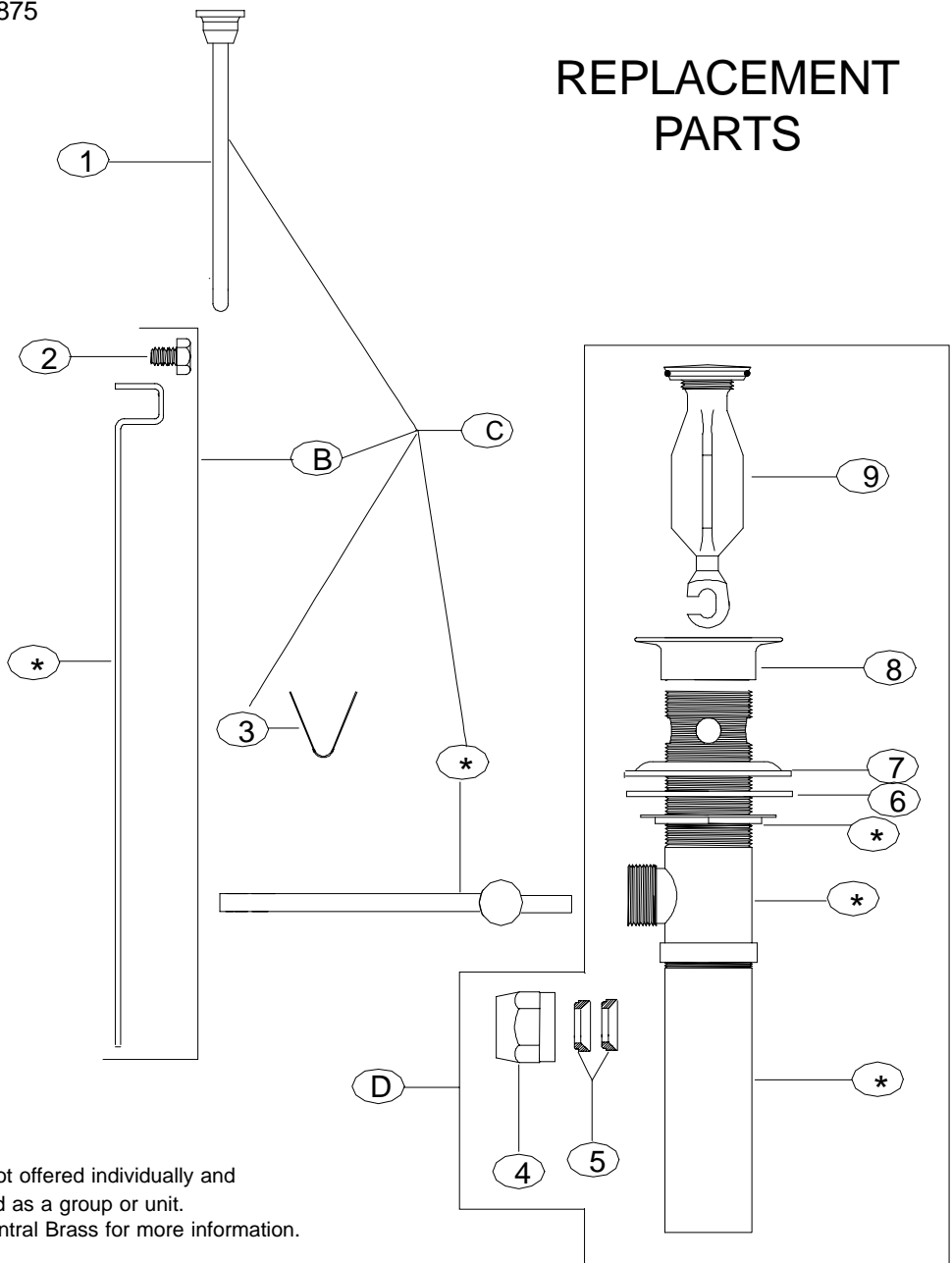
Part Number 1104 or 1105
was supplied with items
shipped before 7-1-2002



* These items are not offered individually and must be purchased as a group or unit. Please contact Central Brass for more information.

MODEL NO. 3137 Series
Cast Brass Slow-Closing
Centerset Lavatory Faucet

REPLACEMENT PARTS



#	Part #	Description
B	SU-195	Pop-up Bracket with Screw (X113-P)
C	G-195-DST	Pull Rod Group with Pop-up Bracket (SU-195) & Ball Lever Rod
D	SU-1109	Pop-up Drain less pull rod & bracket with Stopper & Guide (SU-2113-TT)
1	SU-195-BT9	Pull Rod & Knob
2	X113-P	Pop-up Bracket Screw (6 pcs per pack)
3	X195-C	Clip (6 pcs per pack)
4	192-NBB	Ball Lever Nut
5	X409-PT	Ball Lever Packing (12 pcs per pack)
6	X51-D	Washer (10 pcs per pack)
7	X994-1109	Mac Washer (4 pcs per pack)
8	2056-SPT1109	Top Flange
9	SU-2113-TT	Stopper & Guide