

# Central Brass®

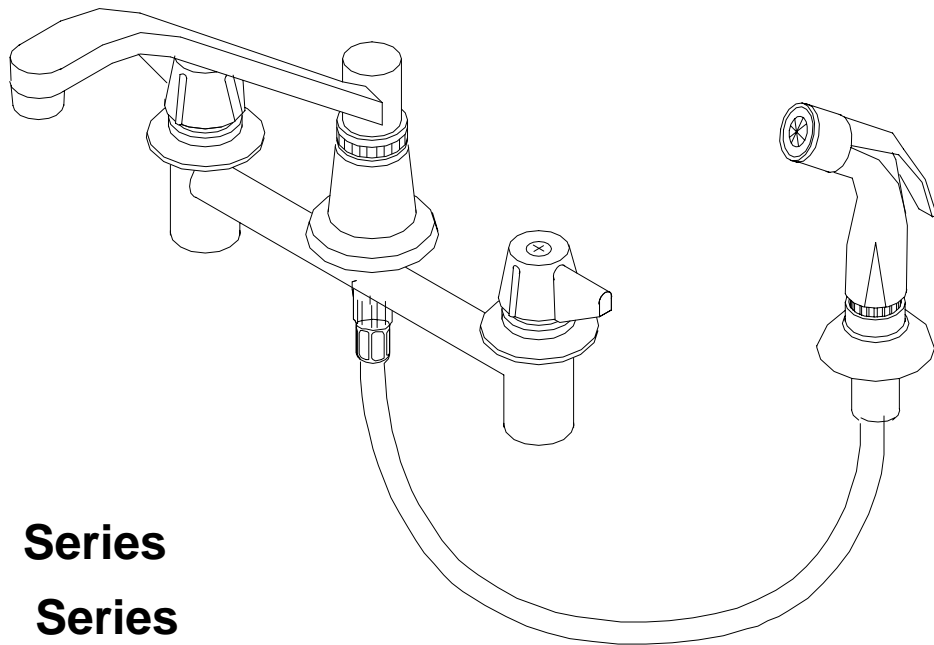
The Easy Choice

## CONCEALED LEDGEMOUNT KITCHEN SINK FAUCET

8-Inch Centers

Quarter-Turn Compression Stem Units

Hose & Spray



**0073 -A-Q Series**

**100073-A-Q Series**

**20073-A-Q Series**



Faucets with lever, wrist or elbow handles and compression or ceramic stem cartridges are ADA compliant.



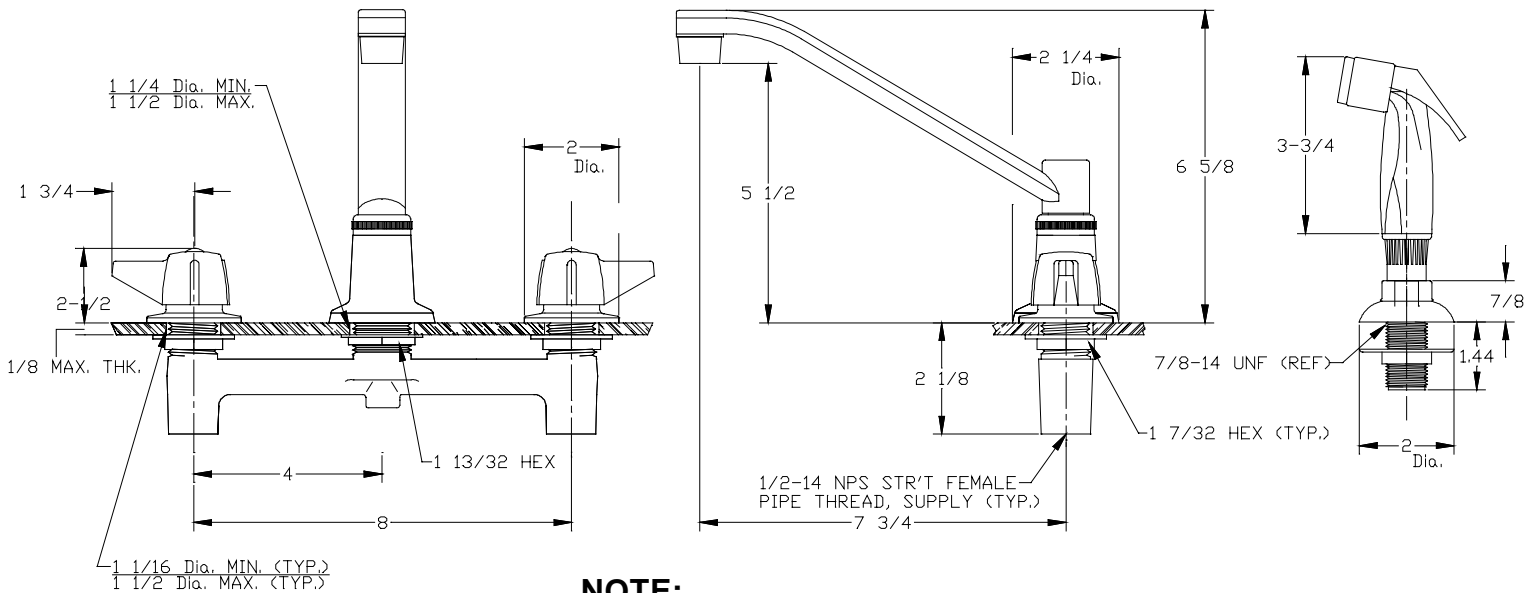
Certified to  
ANSI/NSF 61 Section9

**CENTRAL BRASS MFG CO**

2950 East 55th Street, Cleveland, Ohio 44127

Phone: 216-883-0220 Fax: 216-883-0875 Email: sales @CentralBrass.com

# CENTRAL BRASS INSTALLATION INSTRUCTIONS

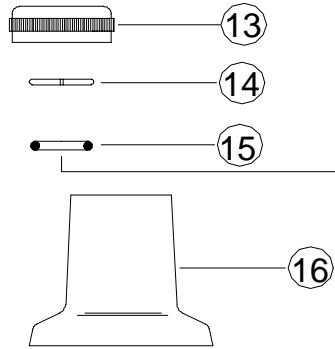
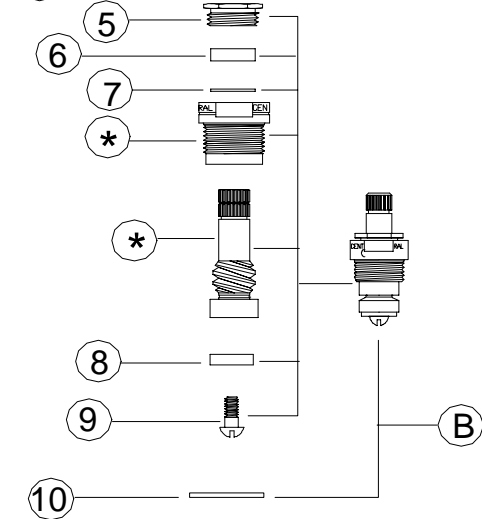
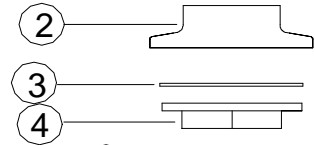
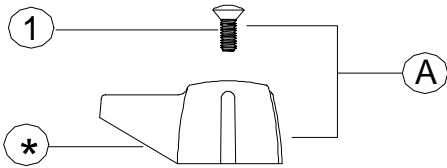
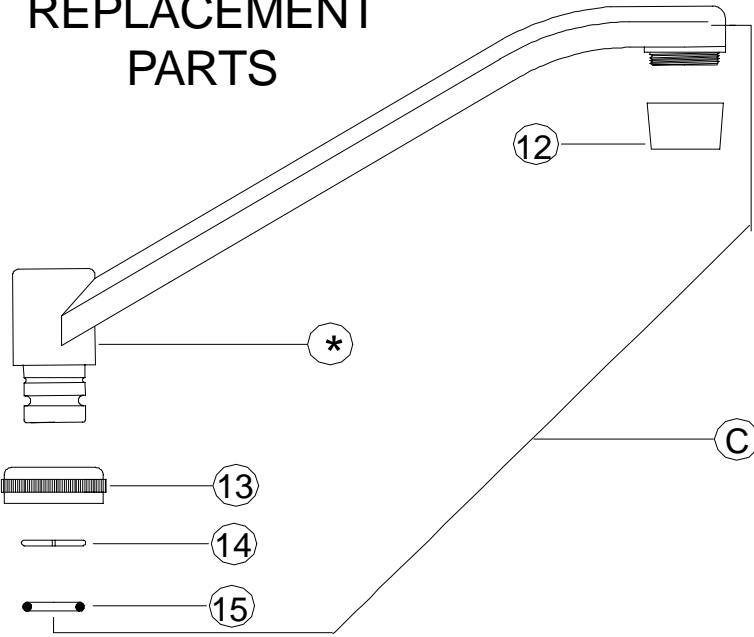
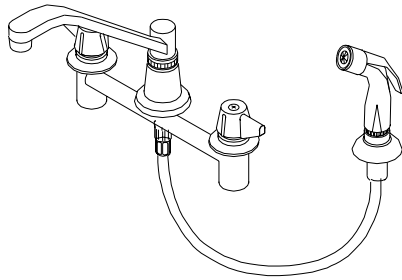


**NOTE:**  
**Thickness of Sink or countertop cannot exceed  $1/8$ "**

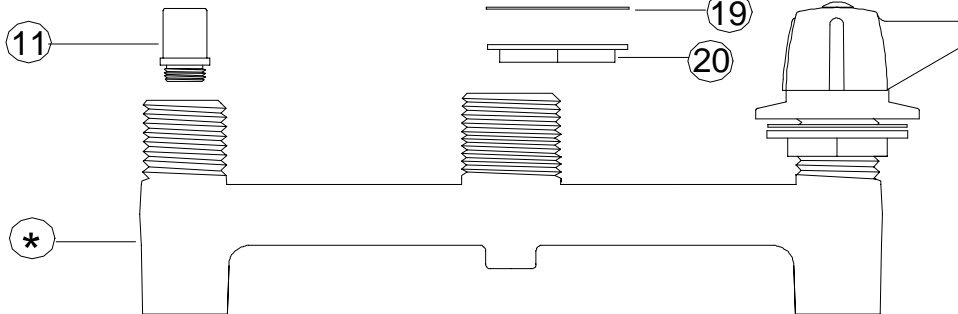
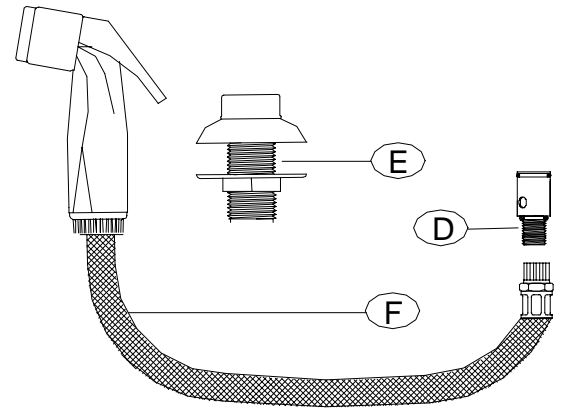
1. Place two locknuts onto faucet body one on hot and one on cold side. Screw locknut down to lower portion of threads, do not tighten. Place gasket on each locknut.
2. Place large locknut on center spout portion of faucet body and screw down onto base. Place gasket over center locknut.
3. Insert faucet body in sink from underside.
4. Apply a thin coat of plumbers putty to the bottom edge of the center escutcheon and tighten down until snug with sink.
5. Assemble spout to faucet body. Tighten spout nut carefully.
6. Loosen center escutcheon until clearance between escutcheon and spout nut is minimum. Tighten center locknut on underside of sink.
7. Apply a thin coat of plumbers putty to the bottom edge of the corner escutcheons and tighten down until snug. Tighten locknuts under sink.
8. Place hose guide thru proper hole in sink. Assemble locknut onto shank and tighten. Insert hose end of spray hose assembly downward thru guide. Attach hose under sink to center of body. Use pipe dope or teflon tape on coupling threads.  
(This step for items with spray hose only).
9. Connect supply lines to bottom inlets of valve body. Hot to left side.
10. Turn on supply lines. Check all connections for leakage.
11. Remove aerator. Turn on hot and cold water for one minute to flush out dirt and sediment that might have accumulated during installation.
12. Re-assemble aerator.
13. Test spray rinse for proper operation (for items with spray hose only) and check all connections for leakage.

**CENTRAL BRASS MFG CO**  
2950 East 55th Street, Cleveland, Ohio 44127  
Phone: 216-883-0220 Fax: 216-883-0875 Email: sales @CentralBrass.com

# REPLACEMENT PARTS



*Heart of Brass*  
Quality Castings Made in USA



\* These items are not offered individually and must be purchased as a group or unit. Please contact Central Brass for more information.

**CENTRAL BRASS MFG CO**

2950 East 55th Street, Cleveland, Ohio 44127

Phone: 216-883-0220

Fax: 216-883-0875

Email: sales @CentralBrass.com

## REPLACEMENT PARTS

#	Part Number	Description
A	G-523-C	Lever Handle C Indexed with Screw (X107-F)
A	G-523-H	Lever Handle H Indexed with Screw (X107-F)
B	G-454-EL	Cold Quick-Pression Quarter-Turn O-Ring Stem Assembly with Gasket (X1028-Y)
B	G-454-ER	Hot Quick-Pression Quarter-Turn O-Ring Stem Assembly with Gasket (X1028-Y)
C	SU-365-CA	8-Inch Swivel D-Spout with Aerator (30-M)
D	SU-266	Diverter Cartridge unit (for Cartridge Style)
D	166-DE	Upper & Lower Diverter unit (for Butterfly Style)
E	SU-2987-DA	Guide for Hose & Spray
F	166-A	Hose & Spray assembly
1	X107-F	Handle Screw (25 pcs per pack)
2	524-B	Escutcheon
3	X491-U	Gasket (12 pcs per pack)
4	X53-AS	Locknut (6 pcs per pack)
5	X1038-453	O-Rings (25 pcs per pack)
6	X901-WNN	Stem Seat Washer (25 pcs per pack)
7	X104	Seat Washer Screw (25 pcs per pack)
8	X1028-Y	Gasket (25 pcs per pack)
9	XPF-263-C	Replacement Seat (2 pcs per pack)
10	30-M	Aerator
11	XPF-782-D	Spout Nut (2 pcs per pack)
12	X166-FN	Snap Ring (6 pcs per pack)
13	X1038-KN	Spout O-Ring (25 pcs per pack)
14	1012-N	Spout Escutcheon
15	2985-J	Centerpiece
16	X402-JN	Gasket (12 pcs per pack)
17	X491-S	Gasket (12 pcs per pack)
18	X53-BS	Locknut (6 pcs per pack)

- If faucet has round handles (G-398) or (70 or 80 suffixes), use two Hot stem assemblies
- If faucet has lever handles, use one Hot and one Cold stem assemblies

### OPTIONS & REPLACEMENT PARTS for options (see replacement part sheets for individual items)

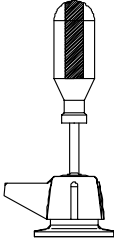
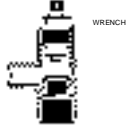


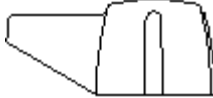


Suffix Number	Replaces Item #	Part Number	Description
07	C	SU-357-WSA	8 ¾ -Inch High-Rise Swivel Spout with Aerator (30-L)
7	C	SU-1974-A	10-Inch Cast Spout with Aerator (30-M)
8	C	SU-357-HSA	7 ¼ -Inch High-Rise Swivel Spout with Aerator (30-L)
TSA	C	SU-257-TSA	Tri-Arc Swivel Gooseneck Spout with Aerator (30-M)
GRA	C	SU-157-GRA	4 <sup>3</sup> / <sub>32</sub> -Inch Rigid Gooseneck Spout with Aerator (30-M)
GSA	C	SU-157-GSA	4 <sup>3</sup> / <sub>32</sub> -Inch Swivel Gooseneck Spout with Aerator (30-M)
KRA	C	SU-157-KRA	5 ½ - Inch Rigid Gooseneck Spout with Aerator (30-M)
KSA	C	SU-157-KSA	5 ½ -Inch Swivel Gooseneck Spout with Aerator (30-M)
		PF-741-DO	Double O-Ring Adapter for the SU-157-KSA Spout
		XPF-166-U	Brass Adapter for the SU-157-KSA and SU-157-KRA Spouts
EL	A	G-4149-C	6-Inch Brass Wrist Handles – Cold Index Blue (X107-FB)
EL	A	G-4149-H	6-Inch Brass Wrist Handles – Hot Index Red (X107-FR)
ELS	A	G-4147-C	4-Inch Brass Wrist Handles – Cold Index Blue (X107-FB)
ELS	A	G-4147-H	4-Inch Brass Wrist Handles – Hot Index Red (X107-FR)
X	A	G-1143-C	Brass Canopy Handles – Cold Blue Index (X107-FB)
X	A	G-1143-H	Brass Canopy Handles – Hot Index Red (X107-FR)
		X107-FB	Blue Index (5 pcs per pack) Used for EL, ELS and X suffix's
		X107-FR	Red Index (5 pcs per pack) Used for EL, ELS and X suffix's
Prefix Number	Replaces Item #	Part Number	Description
10	A	K-512-02	Handle Kit for Villager Collection with Chrome Lever ( one pair )
20	A	K-512-15	Handle Kit for Villager Collection with White Lever ( one pair )
		XSU-512-G-02	Handle Grip chrome plated (2 pcs per pack)
		XSU-512-G-15	Handle Grip white (2 pcs per pack)

## CENTRAL BRASS MFG CO

2950 East 55th Street, Cleveland, Ohio 44127

Phone: 216-883-0220    Fax: 216-883-0875    Email: sales @CentralBrass.com

# CENTRAL BRASS MAINTENANCE INSTRUCTIONS

DISASSEMBLY	REPLACEMENT
<div style="border: 1px solid black; padding: 5px; margin-bottom: 10px;"> <div style="display: flex; justify-content: space-between; align-items: center;"> <span style="border: 1px solid black; padding: 2px 5px; font-weight: bold;">1</span> <span>REMOVE HANDLE</span> </div> <div style="display: flex; align-items: center; margin-top: 10px;">  <div style="flex-grow: 1;"> <ol style="list-style-type: none"> <li>1. Turn off water supply.</li> <li>2. Remove screw.</li> <li>3. Remove handle.</li> </ol> </div> </div> </div> <div style="border: 1px solid black; padding: 5px; margin-bottom: 10px;"> <div style="display: flex; justify-content: space-between; align-items: center;"> <span style="border: 1px solid black; padding: 2px 5px; font-weight: bold;">2</span> <span>REMOVE STEM ASSEMBLY</span> </div> <div style="display: flex; align-items: center; margin-top: 10px;">  <div style="flex-grow: 1;"> <ol style="list-style-type: none"> <li>1. Use adjustable wrench.</li> <li>2. Unscrew counter-clockwise. Remove stem unit.</li> </ol> </div> </div> </div> <div style="border: 1px solid black; padding: 5px;"> <div style="display: flex; justify-content: space-between; align-items: center;"> <span style="border: 1px solid black; padding: 2px 5px; font-weight: bold;">3</span> <span>REMOVE SEAT</span> </div> <div style="display: flex; align-items: center; margin-top: 10px;">  <div style="flex-grow: 1;"> <ol style="list-style-type: none"> <li>1. Insert 5/16" allen wrench in seat.</li> <li>2. Turn seat counter-clockwise to remove.</li> </ol> </div> </div> </div>	<div style="border: 1px solid black; padding: 5px; margin-bottom: 10px;"> <div style="display: flex; justify-content: space-between; align-items: center;"> <span style="border: 1px solid black; padding: 2px 5px; font-weight: bold;">4</span> </div> <div style="text-align: center; margin-top: 10px;"> <p><b>Use Only Genuine Central Replacement Parts</b></p> <p><b>G-454-ER</b> Hot stem assembly 1/4 turn  <b>G-454-EL</b> Cold stem assembly 1/4 turn  <b>XPF-263-C</b> Replaceable Seat</p> </div> <div style="text-align: center; margin-top: 10px;">  </div> <div style="text-align: center; margin-top: 10px;">  </div> <div style="text-align: center; margin-top: 10px;">  </div> <div style="text-align: center; margin-top: 10px;">  </div> <div style="text-align: center; margin-top: 10px;"> <p>Replace Components In Reverse Order of Disassembly</p> </div> </div>

**CENTRAL BRASS MFG CO**  
 2950 East 55th Street, Cleveland, Ohio 44127  
 Phone: 216-883-0220    Fax: 216-883-0875    Email: sales @CentralBrass.com